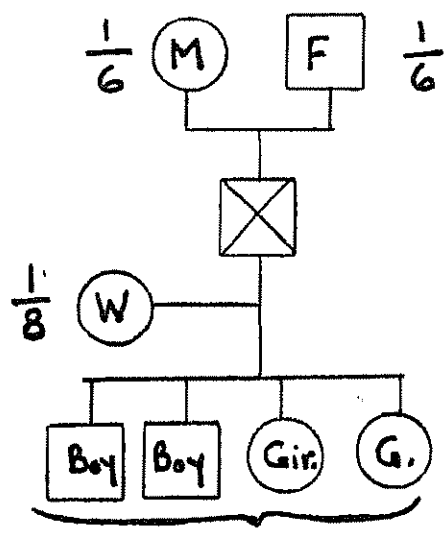


5

6

SIMPLE COMBINATIONS



TOT. ORDAINED SHARES = $\frac{1}{6} + \frac{1}{6} + \frac{1}{8} = \frac{11}{24}$

(R) REMAINDER = $\frac{13}{24}$

GOES TO CHILDREN
M : F = 2 : 1

$\frac{1}{6} \times \frac{12}{15} = \frac{2}{15}$



$\frac{2}{15}$

$\frac{1}{4} \times \frac{12}{15} = \frac{1}{5}$

$\frac{2}{3}$

$\frac{2}{3} \times \frac{12}{15} = \frac{8}{15}$

(AL-OU) العَوْلُ

IF THE ORDAINED SHARES EXCEED THE 100% OF THE BEQUEST, A PROPORTIONATE REDUCTION WOULD BE NECESSARY.

TOT. ORDAINED SHARES = $\frac{1}{6} + \frac{1}{6} + \frac{1}{4} + \frac{2}{3} = \frac{15}{12}$

THE SHORTAGE ----- = $\langle \frac{3}{12} \rangle$

TO BE DISTRIBUTED IN PROPORTION TO THE SHARES BY MULTIPLYING THEM EACH BY $\frac{12}{15}$